

System Control Panel

Designed for MS and RS Inverter/Chargers



Use the System Control Panel for quick and comprehensive control of MS and RS Inverter/Chargers.

The System Control Panel (SCP) features a graphical, backlit LCD screen that displays system configuration and diagnostic information in one central location. Large keypad buttons, an intuitive onscreen menu system, and plain text status messages make it easy to configure and operate. By providing basic controls for other devices connected to the network, the SCP reduces the complexity of separate control panels for each device.

The SCP is Xanbus Enabled and easily connects to MS and RS Inverter/Chargers and other devices with off-the-shelf network cables, making installation quick and easy. Built-in flash memory makes the SCP's software upgradeable to take advantage of new features and system enhancements.

Product Features

- ▶ Compatible with MS and RS Inverter/Chargers
- ▶ Graphical 128x64 pixel LCD display
- ▶ Large, tactile keys
- ▶ Meets UL458 Marine and RV standards
- ▶ Control and display of multiple networked devices
- ▶ Xanbus Enabled

Xantrex Technology Inc.

Headquarters
8999 Nelson Way
Burnaby, British Columbia
Canada V5A 4B5
800 670 0707 Toll Free
604 420 1591 Fax

5916 195th Street NE
Arlington, Washington
USA 98223
800 446 6180 Toll Free
360 925 5144 Fax



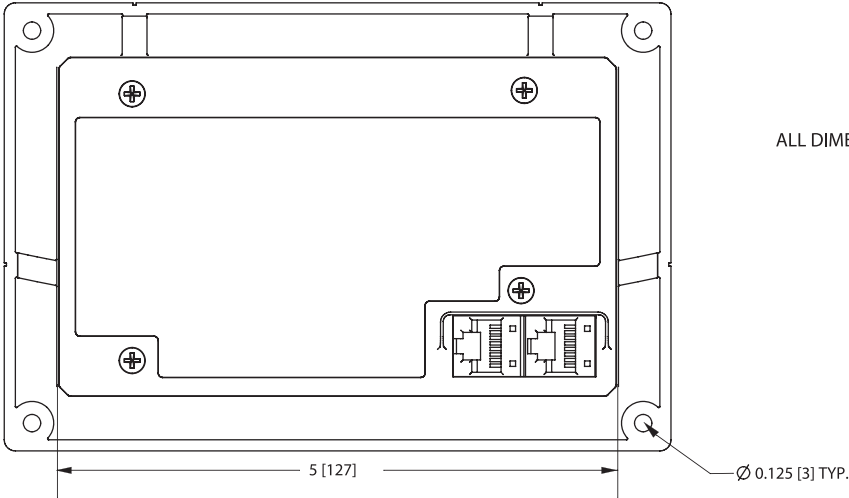
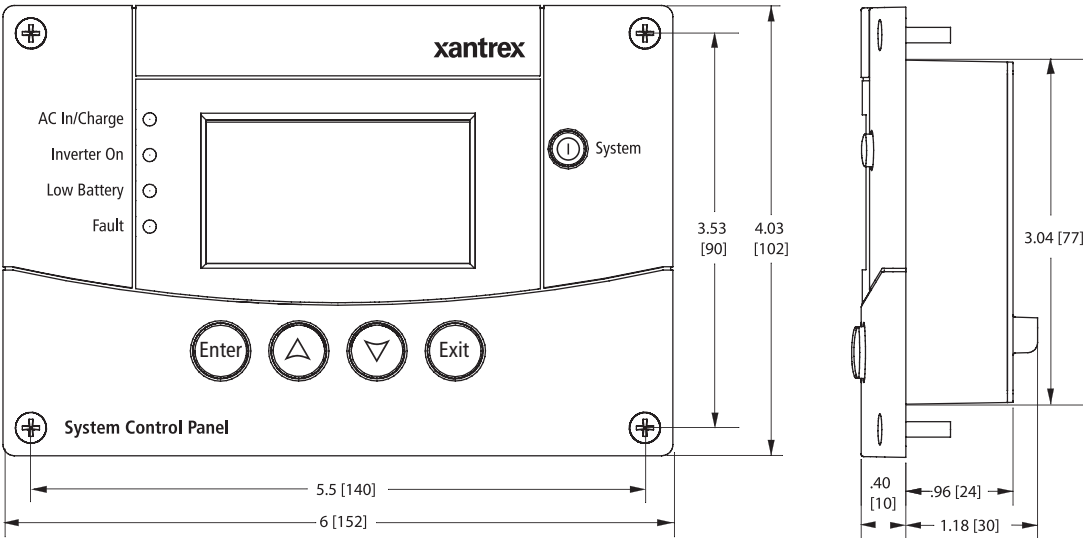
www.xantrex.com

System Control Panel

Designed for MS and RS Inverter/Chargers

Electrical Specifications	
Display	dot matrix 128 x 64 LCD with white LED backlight
Mechanical Specifications	
Dimensions (HxWxD)	6 x 4 x 1 9/16" (152 x 103 x 40 mm)
Weight	0.46 lb (207 kg)
Environmental Specifications	
Operating Temperature	-4 to 122°F (-20 to 50°C)
Storage Temperature	-40 to 185°F (-40 to 85 °C)
Regulatory Compliance	
Safety	CSA certified to CSA 107.1-01 and UL 458 including Marine Supplement
EMC	FCC part 15B Class B Industry Canada ICES-0003 Class B

Note: Specifications subject to change without notice.



ALL DIMENSIONS IN INCHES [mm]